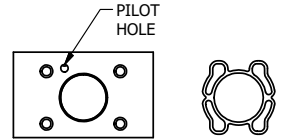
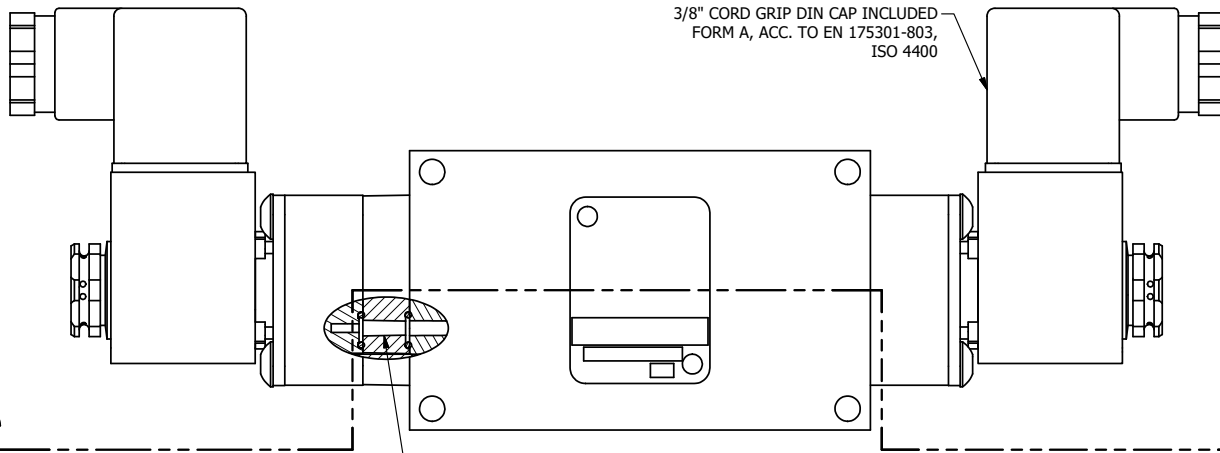
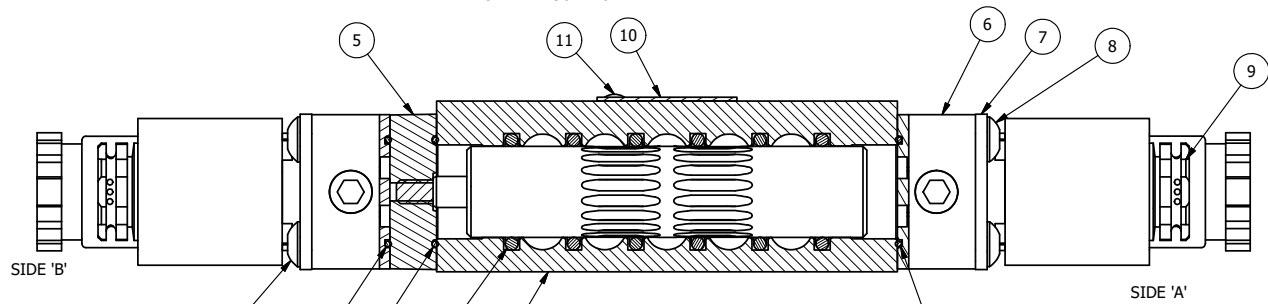


4 3 2 1



ALIGN PILOT AND SLOT IN ADAPTOR WITH GASKET IN BETWEEN, BOTH SIDES. FOR EXTERNAL PILOT OPERATION - ROTATE ADAPTOR 180 DEGREES. REMOVE 1/8" NPTF PLUG AND SUPPLY 50-150 PSI TO 1/8" NPTF PILOT PORT IN ADAPTOR.

ALIGN PILOTS IN BODY, END CAP AND SOLENOID

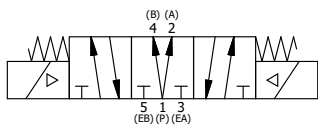


SECTION A-A
SCALE 1 : 1
VIEW FROM 3 PORT SIDE

NOTES:
1) ALWAYS GIVE VALVE MODEL AND PART NUMBER WHEN ORDERING PARTS.

| FLG | QTY | PART NO | DESCRIPTION |
|-----|-----|----------|---|
| 11 | 2 | V-212 | SCREW, #2 X 3/16 DRIVE, TYPE U, OVAL HEAD, STAINLESS STEEL |
| 10 | 1 | AN-114 | NAMEPLATE, BLANK, FOR VALVES WITH SPRINGS OR DETENTS |
| 9 | 2 | V-562 | NUT, SOLENOID, SIDE EXHAUST |
| 8 | 4 | V-584 | SCREW, 10-24 X 1, BUTTON HEAD SOCKET CAP WITH MICROSPHERE APPLIED TO THREADS. |
| 7 | 2 | SEC3-7 | PLATE, RE-INFORCEMENT, SOLENOID, STAMPED, 304 STAINLESS |
| 6 | 2 | V-564 | SYSTEM 8 INTRINSICALLY SAFE SOLENOID OPERATOR. |
| 5 | 1 | AY-EMY3D | ASSY - SPR CTR, REGEN CTR SPL, END MOUNT SOLENOID, 1/4" & 3/8" VALVES |
| 4 | 4 | V-601 | SCREW, 10-24 X 1-1/2, BUTTON HEAD SOCKET CAP WITH MICROSPHERE ADHESIVE |
| 3 | 3 | EMG3 | GASKET - END MOUNT SOLENOID, BUNA-N, 1/4" & 3/8" VALVES |
| 2 | 6 | V-39 | O-RING, VITON, STD BODY, 1/4" & 3/8" VALVES |
| 1 | 1 | B3-1E | BODY - SOLID, BUTTON BLEEDER, ANODIZED, 3/8" SIDE PORT VALVE |

| | | | | | |
|--|--|--|--|--|-------------------|
| LIMITS ON DIMENSIONS UNLESS OTHERWISE SPECIFIED | | 2-PL DECIMAL ± .01 3-PL DECIMAL ± .005 FRACTIONAL ± 1/64 ANGULAR ± 1/2° | | AAA PRODUCTS INTERNATIONAL 7114 Harry Hines Blvd Dallas, TX 75235 | |
| DRAWN: RMckenna | | DATE: 4/7/2016 | | | |
| SCALE: 1 : 1 | | SHEET: 1 OF 1 | | CHECKED: KWaite DATE: 4/7/2016 | |
| TITLE: 3/8" SIDE PORT, DBL SOL, 3 POS, SPR CTR, SOL SHFT, REGEN CTR SPL, INTR SAFE, 24VDC, SIDE VENT | | | | PART NO.: ESY3DAC 24VDC | REV.: A |



| A NO. | DATE | REVISION |
|-------|----------|--|
| 6 | 6/1/2018 | ECG3 GASKET TO EMG3, CHNGD END CAP GEOM. |

4 3 2 1

THE INFORMATION CONTAINED WITHIN THIS DOCUMENT IS PROPRIETARY TO AAA PRODUCTS AND MAY NOT BE DISCLOSED WITHOUT PRIOR WRITTEN CONSENT

P:\Engineering\Product Valve Assembly\Standard\DWG\ESY3DAC 24VDC.dwg